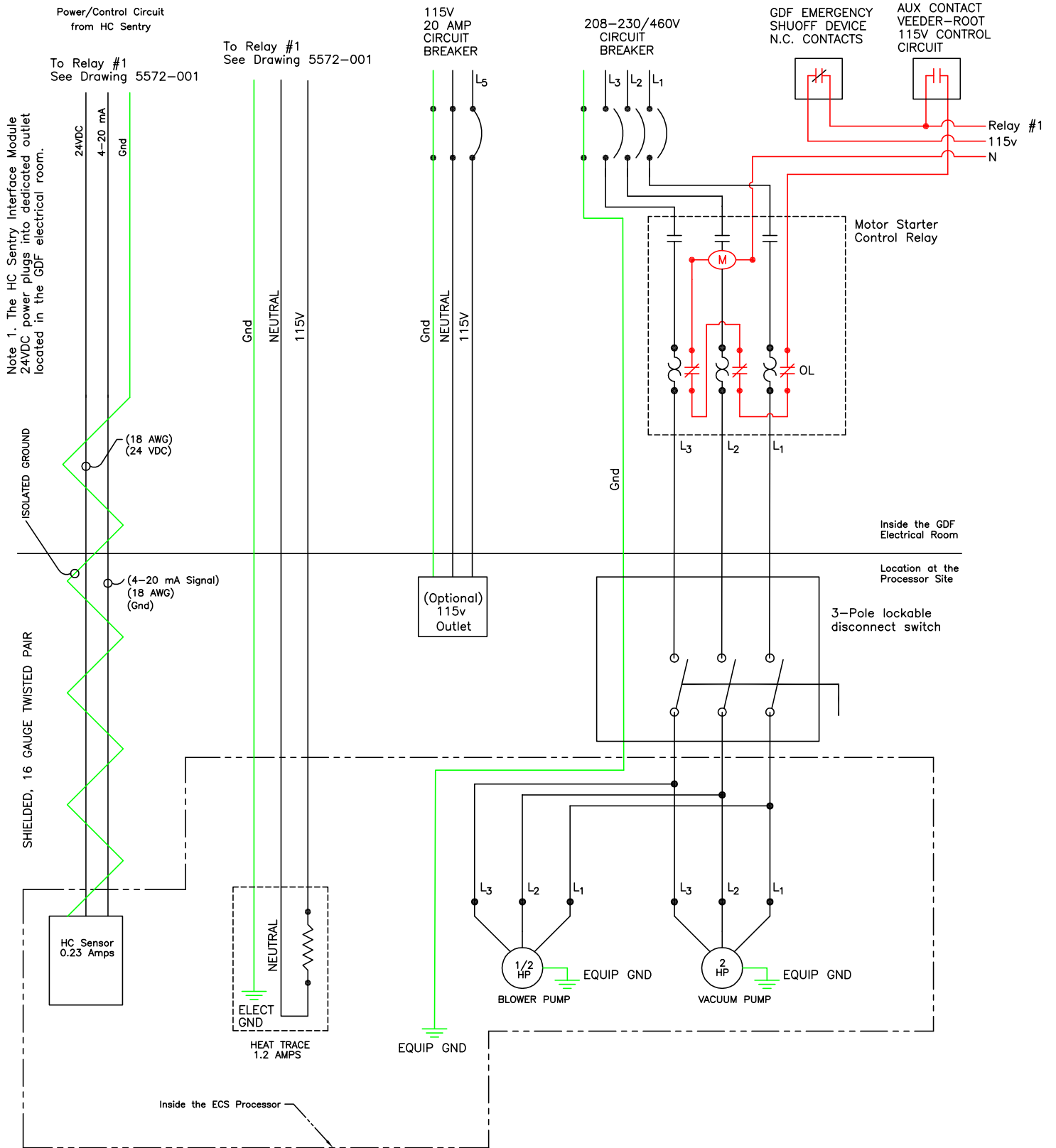


| REV | ECN | DESCRIPTION | RELEASED BY | DATE |
|-----|-----|-------------------------|-------------|---------|
| M | | Added Emergency Shutoff | T. Raterman | 4/28/08 |



All electrical & equipment grounds, and neutral wires must be connected to the electrical panel from which the power originates.

See Drawing 5572-001 for additional information.

VST Vapor Systems Technologies, Inc
 Springboro, Ohio 45066 www.vstthose.com

TITLE
 ECS Three-Phase Wiring Diagram
 ECS Membrane Processor

| | | | | | |
|-------|--------|---------|----------|-----|---|
| SCALE | na | DWG NO. | 5541-001 | REV | M |
| SHEET | 1 OF 1 | | | | |