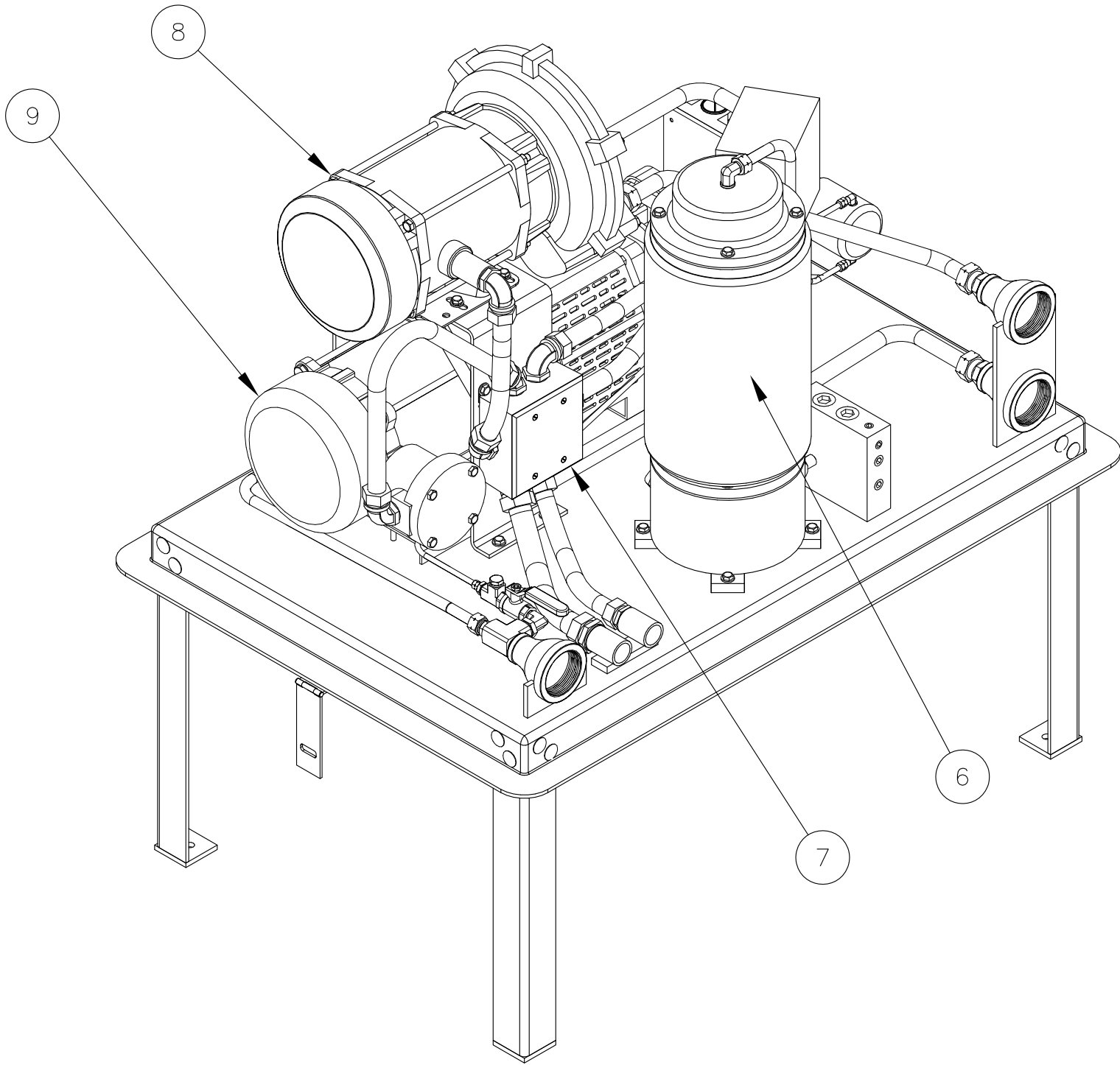


| REV | ECN | DESCRIPTION | RELEASED BY | DATE |
|-----|------|-------------------|-------------|----------|
| E | NONE | ALTER TUBING PATH | J. HILBUN | 01/16/09 |



| ITEM | QTY | UNIT | PART IDENTIFICATION | DESCRIPTION |
|------|-----|------|---------------------|--------------------------------------|
| 9 | 1 | EA | 5001-001 | ASSEMBLY, VACUUM PUMP / MOTOR |
| 8 | 1 | EA | 5002-001 | ASSEMBLY, CIRCULATING BLOWER / MOTOR |
| 7 | 1 | EA | 5011-001 | ELECTRICAL COMPONENTS |
| 6 | 1 | EA | 5013-001 | F/G INSULATION |

THE INFORMATION ON THIS DOCUMENT IS PROPRIETARY AND CONFIDENTIAL. IT MAY BE USED ONLY FOR THE PURPOSE FOR WHICH VAPOR SYSTEMS TECHNOLOGIES, INC. PROVIDED IT.

MATERIAL
N/A

HEAT TREATMENT
N/A

FINISH
N/A

UNLESS OTHERWISE NOTED:
DIMENSIONS IN () ARE REFERENCE
DIMENSIONS ARE INCHES & INCLUDE FINISH
BREAK ALL SHARP EDGES
.005/.020 RADIUS OR CHAMFER

3RD ANGLE PROJECTION

SIZE
A

MACHINED SURFACES
125 ✓

TOLERANCES UNLESS OTHERWISE NOTED:
FRACTIONS ±1/32 CONCENTRICITY (◎) = .005 T.I.R.
.XX DEC ±.02 PERPENDICULARLY (⊥) = .005 T.I.R.
.XXX DEC ±.005 FLATNESS (▭) = .005 T.I.R.
.XXXX DEC ±.0010 PARALLEL (∥) = .005 T.I.R.
ANGLES ±1/2° FILLET RADII = .015R ±.005

APPROVALS

DRAWN BY
J. HILBUN

DATE
01/15/08

ENGINEER
T. RATERMAN

DATE
01/15/09

APPROVED
R. GRANTHAM

DATE
01/16/09

VST Vapor Systems Technologies, Inc.
Springboro, Ohio 45066 www.vsthose.com

TITLE
EMISSION CONTROL SYSTEM

SCALE 1:8 DWG NO. 5523-001

SHEET 2 OF 2

REV
E